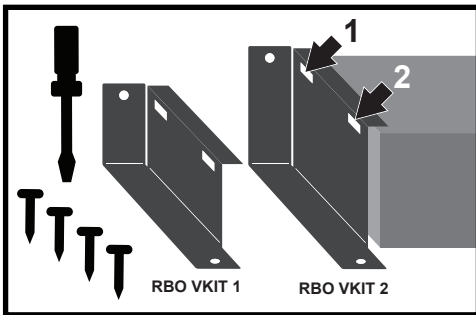


ROCKBOARD®

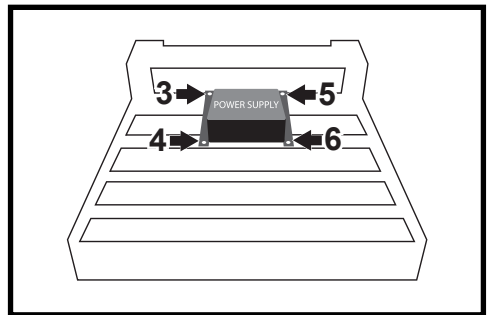
by WARWICK

RBO VKIT 1 & 2 Mounting Instructions

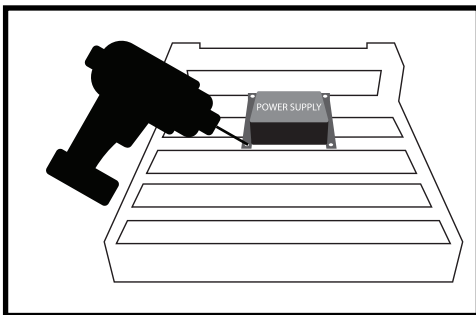
- Phillips Head Screwdriver
- Electric Drill with 1/8" (or 3mm) Drill Bit
- 4 Power Supply Screws (included with Voodoo Lab power supply)



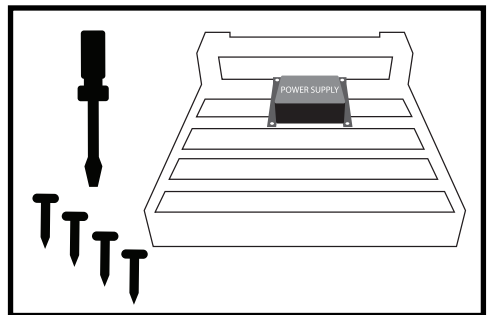
1. Insert screws (included with Voodoo Lab power supply) into RBO VKit 1 & 2 (on both sides) and use a Phillips screwdriver to attach to the power supply.



2. Place power supply and attached RBO VKit underneath your pedalboard and mark holes 3-6 for drilling.



3. Now drill the 4 marked holes with a 1/8" (or 3mm) drill bit.



4. Use the included screws and a Phillips screwdriver to mount the VKit and attached power supply to the RockBoard to finish the installation.